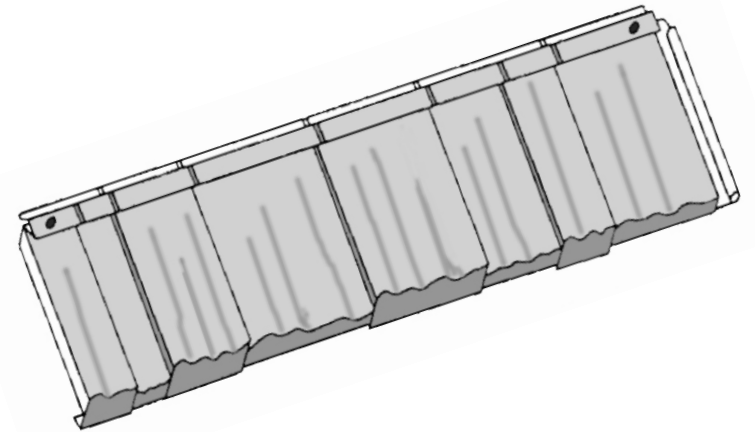




# COUNTRY MANOR SHAKE

L I F E T I M E   ▲   R O O F I N G

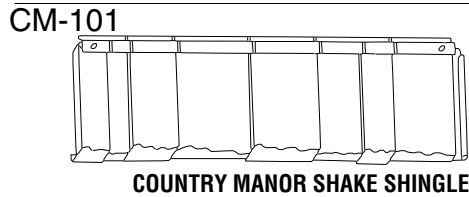


1299-CD90-QQP-10M

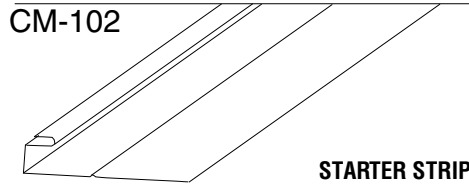
8512 Industry Park Drive  
PO Box 1524  
Piqua, Ohio 45356  
**Toll Free:** 1-888-788-2427  
**Fax:** 937-778-5116

**E-Mail:** [Info@perfectionusa.com](mailto:Info@perfectionusa.com)  
**Internet:** [www.perfectionusa.com](http://www.perfectionusa.com)

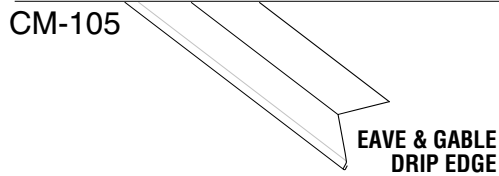
## Installation Guidelines



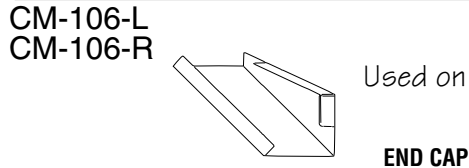
25 pcs. per carton.  
12" X 48", 100 sq. ft. Fasten  
with at least 4 nails per panel.



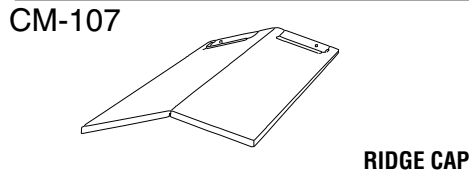
25 pcs. per carton. 12' long.  
Nail 6" on center.  
Install at eaves over  
CM-105 Eave & Gable Drip Edge.



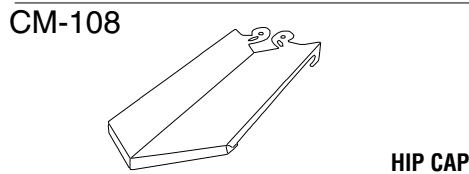
25 pcs. per carton. Nail 12"  
on center. Installed with  
CM-102 and CM-106.



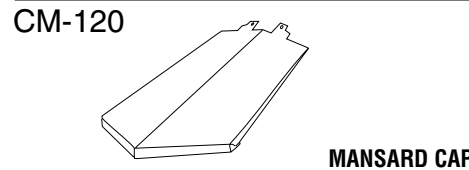
100 pcs. per carton. Use one nail.  
Used on gable ends with CM-105 Eave & Gable  
Drip Edge. Must specify Right or Left.



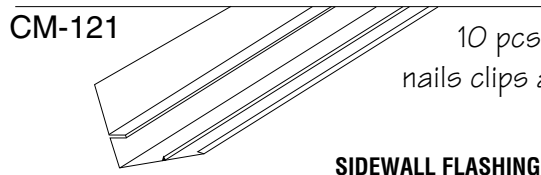
50 pcs. per carton. Use two nails.  
Ridge must be made watertight  
before installing. May also be used as  
hip caps when pitches are unequal.



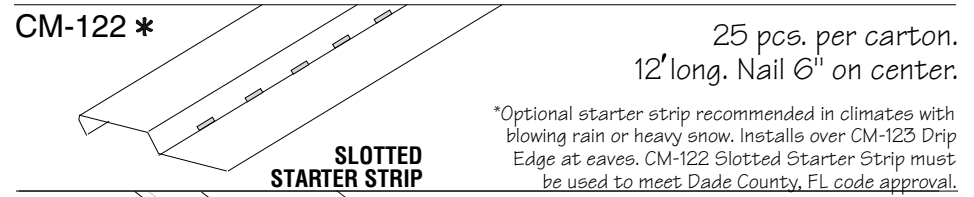
50 pcs. per carton. Use 2 nails.  
Use on 3:12 to 10:12 roof slopes.  
Adjacent roof slopes must be equal.



50 pcs. per carton. Use 2 nails.  
Use on near-vertical mansards.

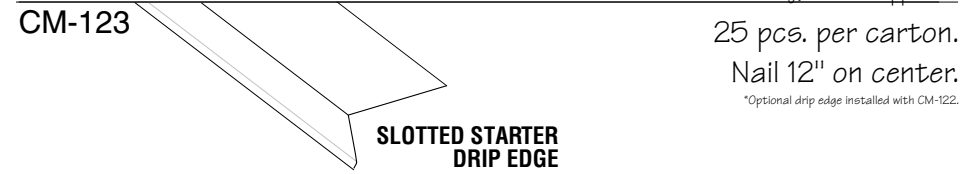


10 pcs. per carton. 12' long. Fasten with  
nails clips along return flange 12" on center.



25 pcs. per carton.  
12' long. Nail 6" on center.

\*Optional starter strip recommended in climates with  
blowing rain or heavy snow. Installs over CM-123 Drip  
Edge at eaves. CM-122 Slotted Starter Strip must  
be used to meet Dade County, FL code approval.



25 pcs. per carton.  
Nail 12" on center.  
\*Optional drip edge installed with CM-122.

## Building Code Listings

BOCA ..... File # 96-51

ICBO ..... ER-5322

UL ..... R5100(N)

SBCCI ..... Report # 9721

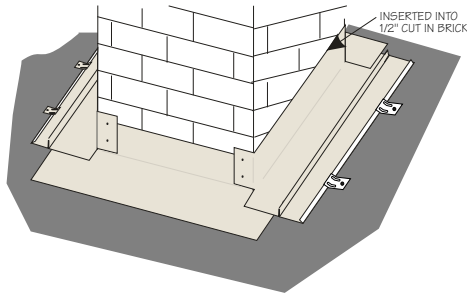
TX dept of Insurance ..... RC-53

City of LA ..... Pending

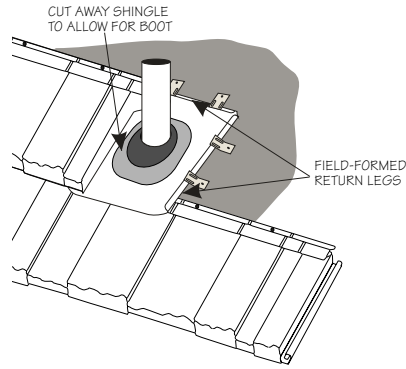
Canadian Const. Materials Cntr. .... Pending

Miami-Dade County Product Control Approved

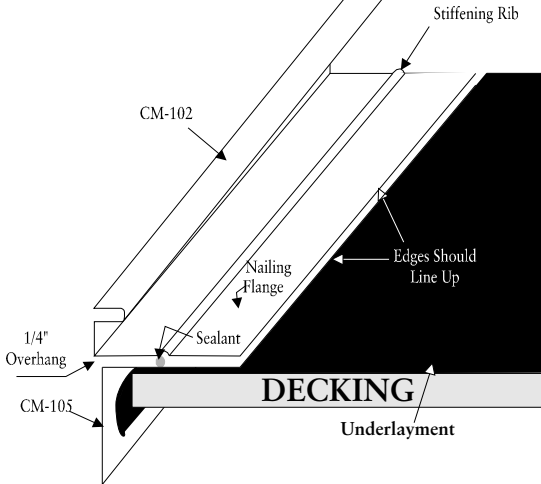
## CHIMNEY FLASHING



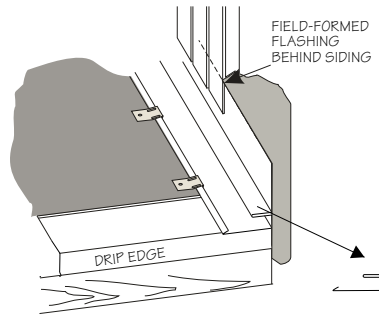
## VENT PIPE FLASHING



## STARTER STRIP

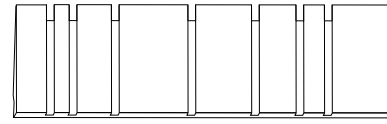


## SIDEWALL FLASHING



## Notes:

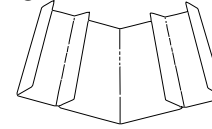
### CM-124



EXPANDED POLYSTYRENE INSERT

25 pcs. per bundle.  
One square per bundle. Use under  
CM-101 for rigidity and  
sound-dampening.

### CM-125



OPEN VALLEY

10 pcs. per carton. 10' long, 12" centers.  
Fasten with Nail Clips on each side.  
Sections are tapered to slide together.

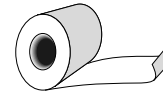
### SH-409



OPEN VALLEY NAILING CLIPS

Used every 12" on Open  
Valley, Sidewall Flashing, and  
other lineal accessories.

### CM-150



FLASHING COIL

18" X 50 ft.  
Use for all field-  
formed flashings.

### SH-531 thru SH-534



VENT PIPE FLASHINGS

Aluminum-base flashing  
with neoprene boot. Opening  
sizes vary from 1½" to 4".

### SP-6000



ROOFING UNDERLAYMENT

60"X200'  
Durable moisture and vapor barrier  
for use on properly ventilated structures.  
Can replace 30-pound felt.

### SH-555

### SH-556



SNOW GUARDS

To protect walkways &  
landscaping from snow slides.  
Contact factory for  
installation instructions.

### VP-275



SEALANT

Terpolymer Butyl sealant in  
matching colors or clear.

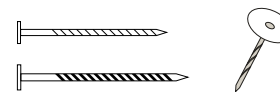
### CM-175



TOUCH-UP PAINT

Brush-applied to exposed nails,  
screws, rivets, vent pipes, etc.

### N-501 thru N-507SP



ALUMINUM ROOFING NAILS

Variety of ringshank  
& screwshank nails from  
1" to 2½". Also plastic-top  
felt nails.

# GENERAL GUIDELINES

Use only **PERFECTION** aluminum screwshank nails. Nails should be long enough to penetrate 15/32" sheathing or at least 1" into solid lumber.

Use only accessories supplied by **PERFECTION** with matching finish. Do not apply copper, tin, galvanized steel, iron, terne or other dissimilar metal parts with this aluminum roofing system.

Minimum pitch is 4:12 (except in climates free from snowfall, where minimum pitch is 3:12). On steep installations, distribute weight loads by placing planks under ladders or other scaffolding used on the roof.

Shingles are walkable, but care should be taken to step on the upper halves of the shingles.

Note: These instructions are a general outline only. For detailed instructions, refer to Perfection at 1-888-788-2427.

## Installation Sequence

1. Prepare roof and apply underlayment.
2. A) Install **CM-105 EAVE & GABLE DRIP EDGE** at all eaves. Install **CM-102 STARTER STRIP** over CM-105.  
*Or, For Climates with Blowing Rain or Heavy Snow:*  
B) Install **CM-123 SLOTTED STARTER DRIP EDGE** at all eaves. Install **CM-122 SLOTTED STARTER STRIP** over CM-123.
3. Install **CM-105 EAVE & GABLE DRIP EDGE** at all gables.
4. Install **END CAPS, VALLEYS** and **FLASHINGS** as needed.
5. Install **SHINGLES**, left to right, eave to ridge, and **HIP CAPS**.
6. Install **RIDGE CAPS**.

## Roof Preparation

Shingles may be installed over solid sheathing, old composition shingles, thin (3/8" butt) wood shingles, or wood shakes with a 3/4" maximum butt thickness. To prepare for reroofing, nail down any loose or curled shingles and protruding nails, cut off overhanging shingles and remove any ridge or hip caps. When installing over wood shingles, cut back the shingles 4" from eaves and fill this area with new lumber. Sweep the roof clean. Shingles may not be installed over tile, cement shakes, or metal.

## Underlayment

Cover entire roof with minimum 30 lb. felt, from left to right, eave to ridge. Allow felt to overhang eaves and gables by 1 1/2", and extend up pipes and penetrations by 1 1/2". Felt should overlap a minimum of 8" both vertically and horizontally. Nail 12" on centers using Plastic-Top Felt Nails (N-501). As an option for areas with heavy ice and snow potential, use ice & water shield or similar underlayment above overhanging eaves plus two feet past exterior wall line, making certain to install 30 lb. felt over it for proper underlayment installation.

## Drip Edge

Fold overhanging felt against fascia and install Drip Edge on all eaves and gable ends. Nail to roof deck 12" on center. At a corner, snip the drip edge bead to bend Drip Edge around corner. Where two pieces intersect, lap by 1".

## Starter Strip

Install at all eaves. Nail 6" on centers. Note that CM-122 Slotted Starter Strip must be used to meet Dade County, FL building code approval.

## Gable End Caps

Apply a bead of sealant under each Gable End Cap and install at the gable ends, overhanging Drip Edge by 1/4". Nail to the roof deck. Make sure that uphill caps overlap downhill caps. Nail heads should be sealed with sealant.

## Country Manor Shake Shingles

Begin shingle installation at lower left corner. Slide bottom lock of shingle into Starter Strip and slide into gable End Cap. BE CERTAIN SHINGLE INTERLOCKS ARE FULLY ENGAGED. Use four nails per panel in the top nailing flange. Continue installing shingles left to right, eave to ridge by engaging the bottom and left locks to surrounding shingles and/or Starter Strip. For maximum wind

resistance and to avoid a "pattern" appearance on the roof, successive courses are staggered by starting with a shingle cut to a different size each time. Cut from the left edge. Follow this series of shingle sizes to assure the proper sequence: Full Panel (48"), 40", 24" 14" 38" 27", 10". Repeat this sequence up the entire roof.

## Open Valley

Prepare the valley by laying a full width of 30 lb. felt down the valley, using Plastic-Top Felt Nails. In areas with heavy ice and snow potential, use ice & water shield or similar underlayment in the length of the valley. After ice & water shield is installed, make certain to install 30 lb. felt over it for proper underlayment installation. Chalk the center line of the valley, and lay Open Valley. Trim Open Valley 3/4" past the eave and fold into Starter Strip. Top of Open Valley should overlap top of valley by 4" and be folded down. Run Open Valley in one length if possible, or over lap uphill section(s) 6" to 10" over downhill section(s) and seal.

Shingles must be cut and bent to lap the Open Valley standing rib (the raised fold between the middle of the valley and the return leg). When a shingle course reaches the valley, the shingle that runs into the valley must be trimmed and folded over the Open Valley standing rib.

## Hip Caps

Trim shingles to conform to hip line. Install Hip Caps by locking the cap over the butt edges of installed shingles. Nail caps through the upper outer edges, using two nails per cap. Hip Caps should be used on roof pitches 3:12 to 10:12. Adjacent roof slopes should be equal.

## Mansard Corner Caps

For use on the corners of mansard roofs or very steep hip roofs, install Mansard Corner Caps similar to Hip Caps, above.

## Sidewall & Chimney Flashing

To flash a roof / sidewall intersection, use CM-121 Sidewall Flashing or field-form a flashing like a "J" channel on the roof deck with a leg extending up the wall to be inserted behind the sidewall covering. If the flashing cannot go behind the siding, nail it to the sidewall and seal, or secure to wall with terminator bar and seal. If the sidewall is masonry, treat as chimney side flashing, below.

To flash a chimney, make a 1/2" cut in the masonry above existing flashings (approx. 4" in new installations) and parallel to the roof deck. On the downhill side of the chimney, field-form a flashing to be received into this cut, extend down to the roof deck and 4" out on top of the installed shingles below. On sides of chimney, use CM-121 Sidewall Flashing or field-form flashings to be received into the cuts, extending down the chimney and 4" out onto the deck, where a 3/4" rib should stand. The flashings should continue 3" beyond this rib, where they should have a 3/4" return leg. Shingles should be formed over this rib similar to Open Valley standing ribs, above. The downhill ends of chimney side flashings should rest on top of the downhill chimney flashing. The uphill side of the chimney should be crickets. A flashing should be formed to be received into the 1/2" cut, extending down over the cricket, and rest on top of the chimney side flashings. The uphill portion of this flashing should lay beneath the shingles above.

## Vent Pipe Flashing

Bring felt 1 1/2" up around pipe, and add an additional piece of felt extending 18" to each side, the downhill side of which should rest on top of the shingles beneath the vent pipe flashing. Seal felt seams, especially around pipe, with roofing cement. Bend 3/4" return legs on the sides and top of the flashing. Install the vent pipe flashing (SH-531 to SH-534) when enough shingles have been installed that the bottom of the flashing will lay on top of shingles below. Fasten the flashing with Nail Clips attached to the return legs. Then install shingles around the pipe, cutting as necessary to allow only the pipe and neoprene boot to show. Use sealant to divert water around pipe or boot on the upper side of pipe.

## Ridge Caps

The ridge must be watertight before installing Ridge Caps. Either: 1) bend the top course of shingles over the ridge by at least 2" or 2) field-form a flashing to make the ridge watertight. Ridge Caps install by locking the butt end of the cap over the return flanges of the previous cap. Fasten with two nails in each cap, through the prepunched holes. Ridge Caps may be started at both gable ends and work toward the middle, where a trimmed cap attached with sheet metal screws will join them. Seal screw heads and areas along the joint where Ridge Caps overlap.